



## Electric deck oven for pizza

2 decks composition

iDeck consists of one or two baking chambers and an optional proofer or stand. The oven's baking surface is made of refractory material, providing the perfect heat distribution over the whole surface. This oven is particularly suitable for direct or indirect pizza baking. Temperature management is electronic, power control of ceiling and floor is independent. The oven door is hinged at the bottom, with a tempered glass window to check the product during baking. The stand consists of a painted metal structure, while the proofer is a stainless steel cabinet equipped with a heating thermostat. The maximum temperature of the baking chamber is 450°C (842°F).



### FUNCTIONING

- Heating by armoured heating elements
- Electronic power management with independent adjustment of ceiling and floor (Dual-Power Technology™)
- Maximum temperature reached 842°F (450°C)
- Continuous temperature monitoring with thermocouples

### CONSTRUCTION

- Front structure made in folded stainless steel
- Oven panels made pre-painted metal sheets
- Door in stainless steel with shutter with hinge at bottom with balancing spring
- Door handle in stainless steel
- Tempered crystal glass
- Control panel on the right front side
- Baking surface in refractory brick
- Upper and lateral structure in aluminized sheet
- Thermal insulation in mineral wool

### BAKING ELEMENT INTERNAL DIMENSIONS

Internal height	5 1/2"
Internal depth	16 1/2"
Internal width	28 1/3"
Baking surface	3,23 ft <sup>2</sup>

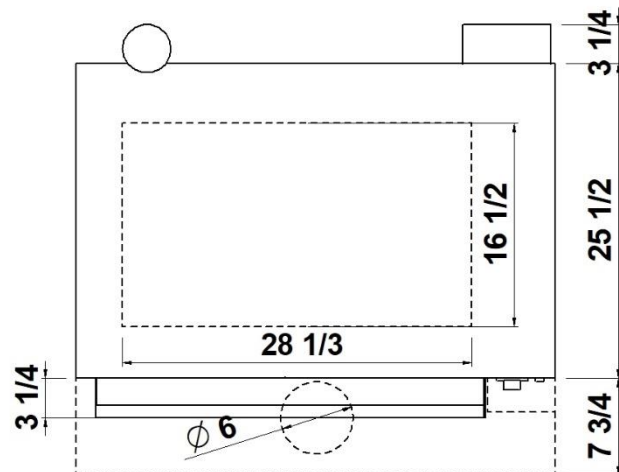
### STANDARD EQUIPMENT

- Illumination by halogen lamp
- Independent maximum temperature safety device (only electronic version)
- Baking timer

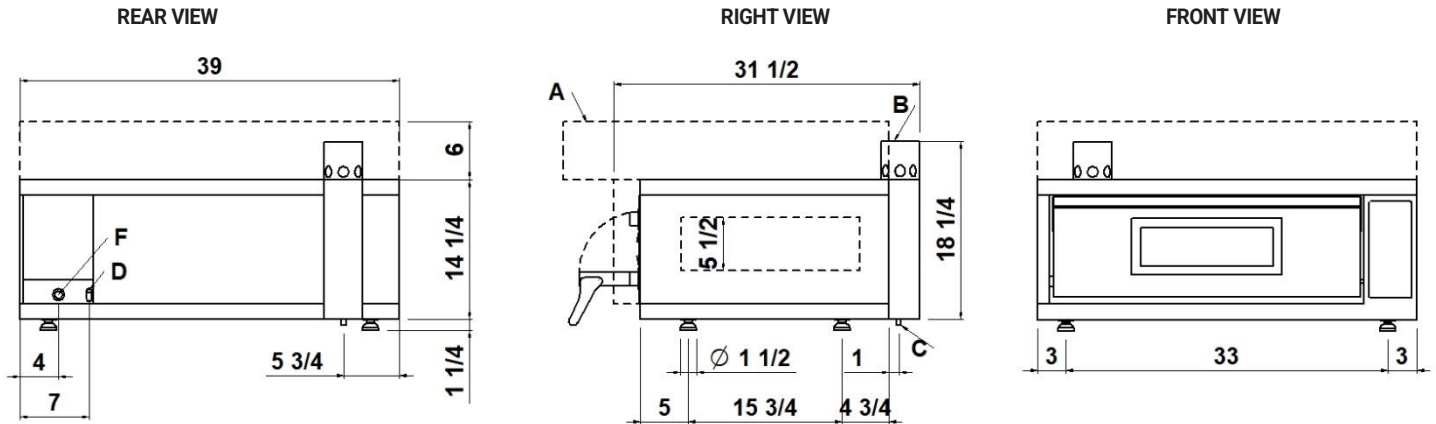
### ACCESSORIES

- Stand height 23 1/2", 27 1/2", 35 1/2"
- 4 wheels kit
- Additional trayholder slides
- Stand with trayholder slides and castors height 39 5/8"
- Stacking kit
- Hood

### TOP VIEW



**iD-M 72.42**  
(countertop)



**NOTE:** The dimensions indicated in the views are in inches. 10ft cable supplied (3ph version only).

<b>A</b> Ø 5 7/8" hood steam collector	<b>B</b> Ø INT. 102 steam exhaust	<b>C</b> Ø 1/2" condensate exhaust	<b>D</b> M6 equipotential screw
<b>F</b> fairleads			

**EXTERNAL DIMENSIONS**

External height	18 1/4" (463mm)
External depth	31 1/2" (798 mm)
External width	39" (988mm)
Weight	166lb (75kg)

**TOTAL BAKING CAPACITY**

Tray 26"x18" (600x400)mm	1
Pizza diameter 14"	2

**SHIPPING INFORMATION**

Packed oven sizes:	
Max Height	21 1/4" (540mm)
Max Depth	34 5/8" (880mm)
Max Width	41 3/4" (1060mm)
Weight	241lb (109kg)

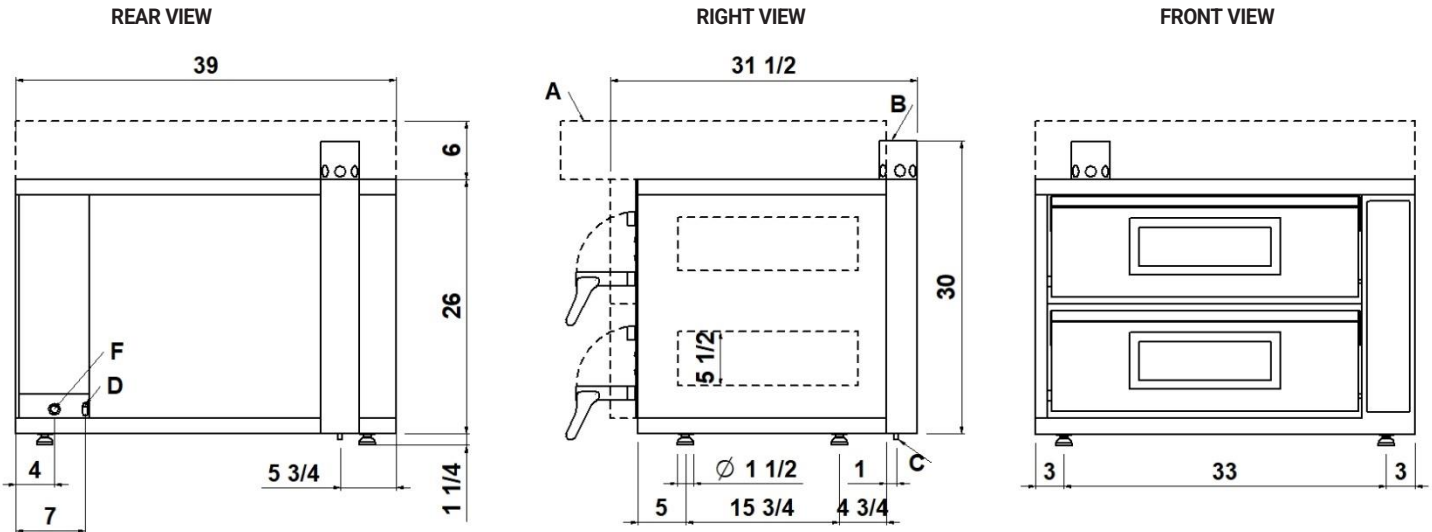
Packed hood sizes:	
Height	7" (180mm)
Depth	37 1/2" (950mm)
Width	42" (1060mm)
Weight	39lb (18kg)

**FEEDING AND POWER**

Standard feeding	
A.C. V208 3ph	
Feeding on request	
A.C. V208 1ph	
Frequency	60Hz
Max power	5 kW
*Average power cons	2,5 kWh
Ampère max	
14A (V208 3ph)	
24A (V208 1ph)	
Connecting cable	
10AWG/DECK (V208 3ph)	
10AWG/DECK (V208 1ph)	

\* This value is subject to variation according to the way in which the equipment is used  
NOTE: MORETTI FORNI S.P.A. reserves the right to modify the characteristics of the products illustrated in this publication without prior notice

**iD-D 72.42**  
(countertop)



**NOTE:** The dimensions indicated in the views are in inches. 10ft cable supplied (3ph version only).

<b>A</b> Ø 5 7/8" hood steam collector	<b>B</b> Ø INT. 6 1/4" steam exhaust	<b>C</b> Ø 1/2" condensate exhaust	<b>D</b> M6 equipotential screw
<b>F</b> fairleads			

**EXTERNAL DIMENSIONS**

External height	30" (760mm)
External depth	31 1/2" (798 mm)
External width	39" (988mm)
Weight	225lb (102kg)

**SHIPPING INFORMATION**

Packed oven sizes:	
Max height	33 7/8" (860mm)
Max depth	34 5/8" (880mm)
Max width	41 3/4" (1060mm)
Weight	305lb (138kg)

**FEEDING AND POWER**

Standard feeding	
A.C. V208 3ph	
Feeding on request	
A.C. V208 1ph	
Frequency	60Hz
Max power	10kW
*Average power cons	5kWh
Ampère max	
28A (V208 3ph)	
48A (V208 1ph)	
Connecting cable	
8AWG/DECK (V208 3ph)	
6AWG/DECK (V208 1ph)	

**TOTAL BAKING CAPACITY**

Tray 26"x18" (600x400)mm	2
Pizza diameter 14"	4

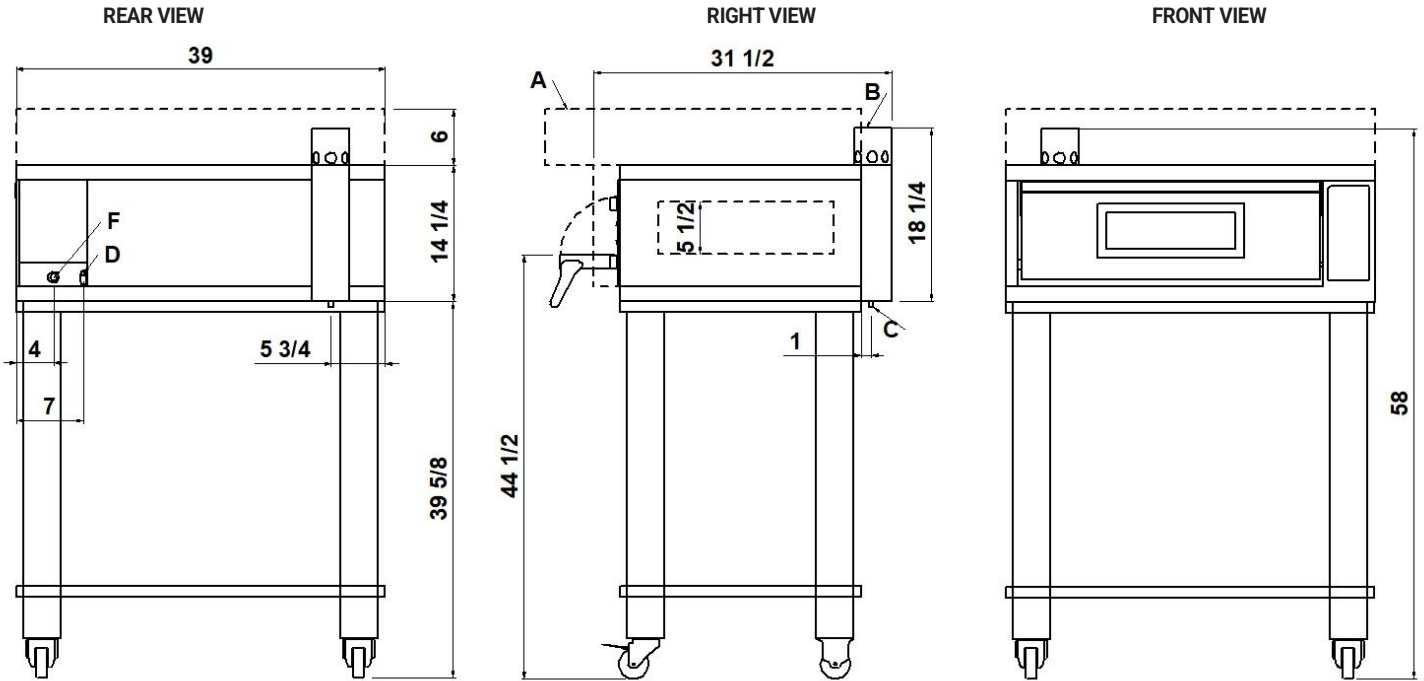
**Packed hood sizes:**

Height	7" (180mm)
Depth	37 1/2" (950mm)
Width	42" (1060mm)
Weight	39lb (18kg)

\* This value is subject to variation according to the way in which the equipment is used  
 NOTE: MORETTI FORNI S.P.A. reserves the right to modify the characteristics of the products illustrated in this publication without prior notice

**iD-M 72.42**

(assembled with stand height 39 5/8")



**NOTE:** The dimensions indicated in the views are in inches. 10ft cable supplied (3ph version only).

<b>A</b> Ø 5 7/8" hood steam collector	<b>B</b> Ø INT. 102 steam exhaust	<b>C</b> Ø 1/2" condensate exhaust	<b>D</b> M6 equipotential screw
<b>F</b> fairleads			

**EXTERNAL DIMENSIONS**

External height	18 1/4" (463mm)
External depth	31 1/2" (798 mm)
External width	39" (988mm)
Weight	166lb (75kg)

**SHIPPING INFORMATION**

Packed oven sizes:	
Max Height	21 1/4" (540mm)
Max Depth	34 5/8" (880mm)
Max Width	41 3/4" (1060mm)
Weight	241lb (109kg)

**FEEDING AND POWER**

Standard feeding	
A.C. V208 3ph	
Feeding on request	
A.C. V208 1ph	
Frequency	60Hz
Max power	5 kW
*Average power cons	2,5 kWh
Ampère max	
14A (V208 3ph)	
24A (V208 1ph)	
Connecting cable	
10AWG/DECK (V208 3ph)	
10AWG/DECK (V208 1ph)	

**TOTAL BAKING CAPACITY**

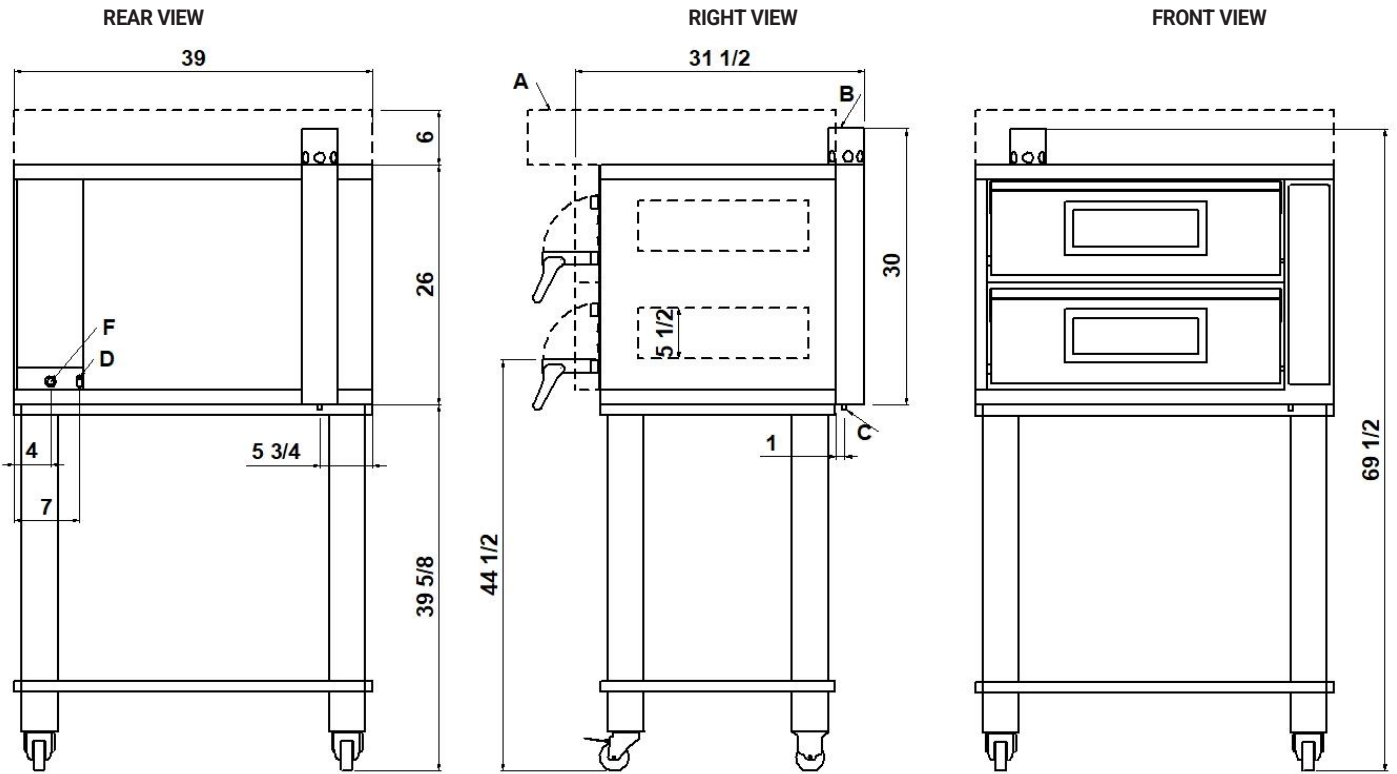
Tray 26"x18" (600x400)mm	1
Pizza diameter 14"	2

Packed hood sizes:	
Height	7" (180mm)
Depth	37 1/2" (950mm)
Width	42" (1060mm)
Weight	39lb (18kg)

\* This value is subject to variation according to the way in which the equipment is used  
NOTE: MORETTI FORNI S.P.A. reserves the right to modify the characteristics of the products illustrated in this publication without prior notice

**iD-D 72.42**

(assembled with stand height 39 5/8")



**NOTE:** The dimensions indicated in the views are in inches. 10ft cable supplied (3ph version only).

<b>A</b> Ø 5 7/8" hood steam collector	<b>B</b> Ø INT. 6 1/4" steam exhaust	<b>C</b> Ø 1/2" condensate exhaust	<b>D</b> M6 equipotential screw
<b>F</b> fairleads			

**EXTERNAL DIMENSIONS**

External height	30" (760mm)
External depth	31 1/2" (798 mm)
External width	39" (988mm)
Weight	225lb (102kg)

**TOTAL BAKING CAPACITY**

Tray 26"x18" (600x400)mm	2
Pizza diameter 14"	4

**SHIPPING INFORMATION**

Packed oven sizes:	
Max height	33 7/8" (860mm)
Max depth	34 5/8" (880mm)
Max width	41 3/4" (1060mm)
Weight	305lb (138kg)

Packed hood sizes:	
Height	7" (180mm)
Depth	37 1/2" (950mm)
Width	42" (1060mm)
Weight	39lb (18kg)

**FEEDING AND POWER**

Standard feeding	
A.C. V208 3ph	
Feeding on request	
A.C. V208 1ph	
Frequency	60Hz
Max power	10kW
*Average power cons	5kWh
Ampère max	
28A (V208 3ph)	
48A (V208 1ph)	
Connecting cable	
8AWG/DECK (V208 3ph)	
6AWG/DECK (V208 1ph)	

\* This value is subject to variation according to the way in which the equipment is used  
**NOTE:** MORETTI FORNI S.P.A. reserves the right to modify the characteristics of the products illustrated in this publication without prior notice